

# Installation and Operating Instructions

## Bulletin 440P-WA1 & 440P-WA1A Lever Arms

### IMPORTANT: SAVE THESE INSTRUCTIONS FOR FUTURE USE.

This publication does not include all specifications, dimensions, or any special installation considerations. Refer to the product catalog pages for additional information.



**ATTENTION:** To avoid electrical shock and unintended operation of equipment, disconnect all power to the limit switch and the controlled equipment before proceeding with any repair or adjustment of the limit switch.



**ATTENTION:** For safety applications Rockwell Automation recommends replacing the complete limit switch.

### General Data

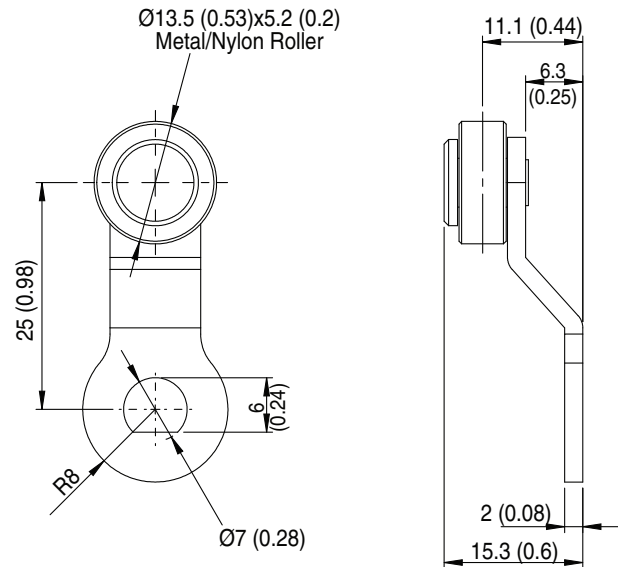
- Designed for 440P-A short lever arm limit switches
- Metal or nylon roller available
- Roller diameter 13.5 mm (0.53 in.) x width 5.2 mm (0.2 in.)
- Lever arm radius 25 mm (0.98 in.)
- Lever arm length 40 mm (1.57 in.)
- Includes lock nut and washer

### Principles, Standards and Implementation

Operating specifications must be followed. Actuators should be displaced beyond the point where direct opening action occurs. If adjustable actuators become loose they may defeat the direct opening action feature of the limit switch. These devices are not to be used to directly control a motor.

**IMPORTANT:** Installation of Allen-Bradley limit switches should be in accordance with local and/or national codes. Servicing energized industrial control equipment can be hazardous if not in accordance to recommended safety procedures.

### Lever Arm Dimensions [mm (in.)]

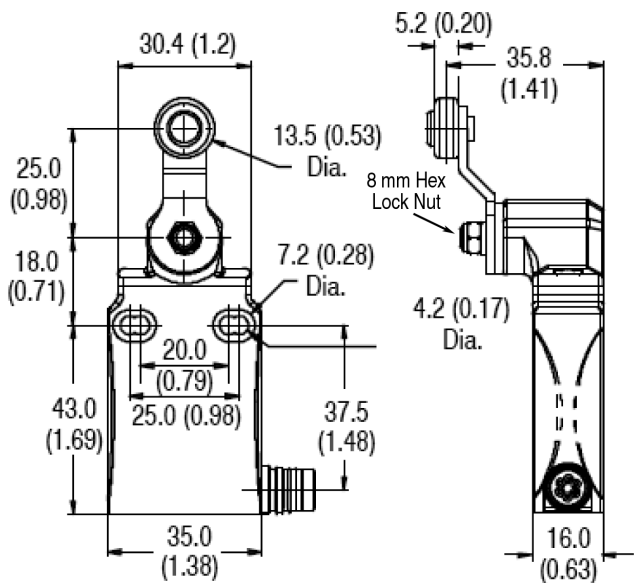


Lever arm with nylon roller shown installed

### Instructions

1. Mount lever arm on keyed shaft in desired position.
2. Install washer.
3. Install Hex lock nut.
4. Torque Hex lock nut to 1...1.4 N•m (8.85...12.39 lb•in).

**Mounting Dimensions [mm (in.)]**



**ATTENTION:** Under no circumstances must the switch be actuated beyond the mechanical travel specified. Serious damage to the device and property could result.

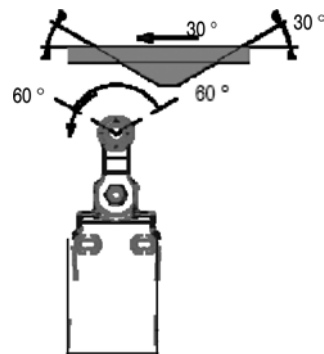
**Maintenance**

These devices require little maintenance, but routine visual inspection is recommended to keep foreign debris from collecting on the exterior actuators and rollers.

Removing the operator head is not recommended as loose internal components may be lost or improperly re-installed.

**Actuation Guidelines**

The method of actuation and over travel has significant influence on the service life of the limit switch. To maximize the service life, it is recommended to provide an actuator with a 30° pressure angle and a surface hardness of RC-45 max.



**Torque Specifications**

Location	Torque
8 mm Hex lock nut	1... 1.4 N•m (8.85... 12.39 lb•in)

[www.rockwellautomation.com](http://www.rockwellautomation.com)

**Power, Control and Information Solutions Headquarters**

Americas: Rockwell Automation, 1201 South Second Street, Milwaukee, WI 53204-2496 USA, Tel: (1) 414.382.2000, Fax: (1) 414.382.4444  
 Europe/Middle East/Africa: Rockwell Automation NV, Pegasus Park, De Kleetlaan 12a, 1831 Diegem, Belgium, Tel: (32) 2 663 0600, Fax: (32) 2 663 0640  
 Asia Pacific: Rockwell Automation, Level 14, Core F, Cyberport 3, 100 Cyberport Road, Hong Kong, Tel: (852) 2887 4788, Fax: (852) 2508 1846

Drwg. No. 10000101189 Ver 00  
 February 2011  
 Printed in USA